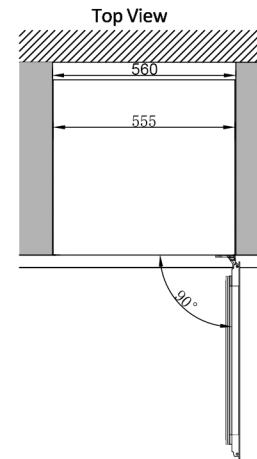
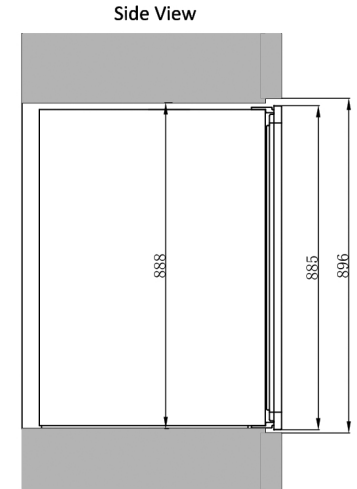
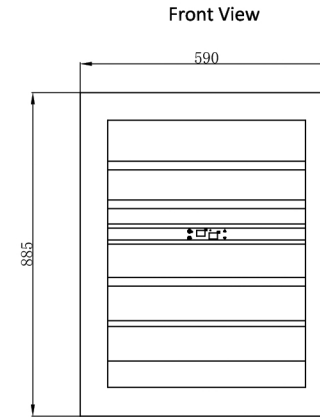
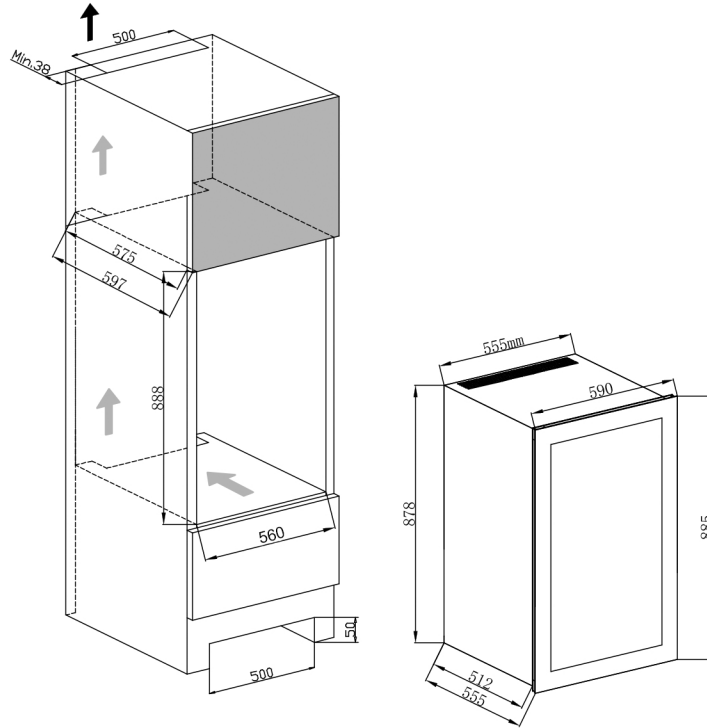


## DUNAVOX BALANCE-42.TO

DXB-42.100DB.TO

## DUNAVOX JOY-42

DXJ-42.100DB



Front and rear plinth ventilation is needed.

